

Davit for FRC / MOB VESTDAVIT BT-TYPE

General description:

- VESTDAVIT davits are 100% hydraulic operated.
- Emergency system according to SOLAS and IMO regulations
- Shock Absorber System
- Self Tension System
- El. Hydraulic Power Unit
- Hydraulic 3 axes compensation system
- Self contained unit, skid mounted



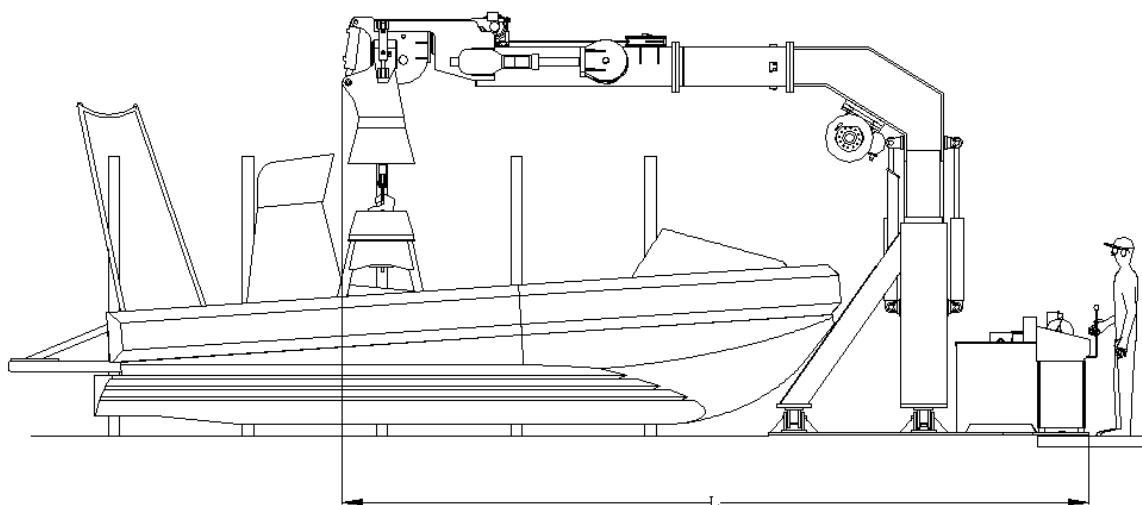
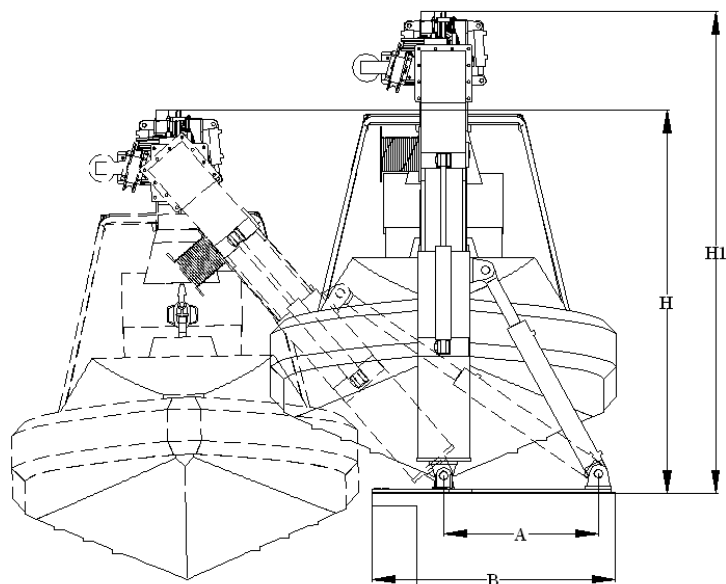
SPECIAL FEATURES:

- Anti Pendulation device
- Easy to operate
- Low maintenance cost
- Functional design

Patented

VESTDAVIT BT-TYPE

Special type for low profile after parking of boat



Main Dimensions davit (mm):						
Type	Weight	A	B	H	H1	L
BT-3250	5300 kg	1215	1905	3023	3792	6677

Technical specification winch				
Type	SWL	pressure	oilflow	speed
BT-3250	1215	220	110 l/min	50 m/min