

# *Rescue Davit for Offshore Installations*

## *VESTDAVIT D- type*



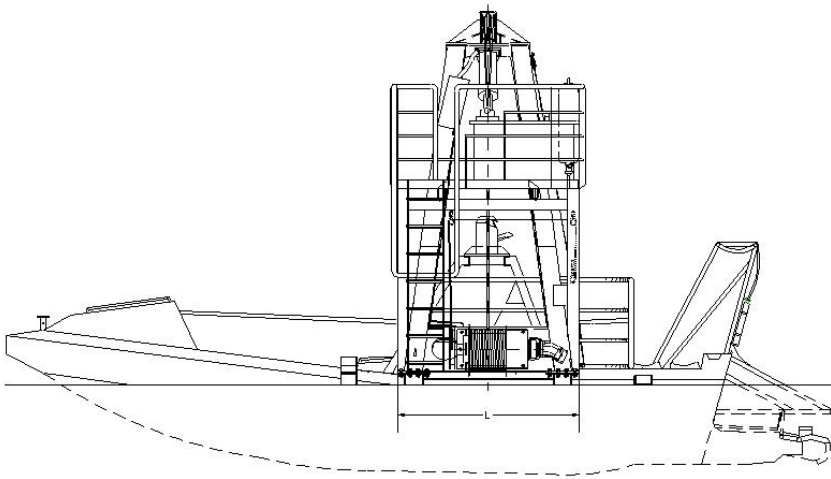
# VESTDAVIT D-TYPE

Single point rigid MOB davit for Offshore Installations.

- SWL 4500 kg
- Dynamic shock absorber

An advanced and reliable davit, designed to meet offshore regulation.

- Standard hydraulic shock absorber reduces the accelerations to max 0,25G
- Self Tension System (wave compensator) as option.



Main Dimension:			
Type	B	H	L
D-4500	1000	4100	2000

Technical specification:		
Type	SWL	Weight
D-4500	4500 kg	3000 kg

